



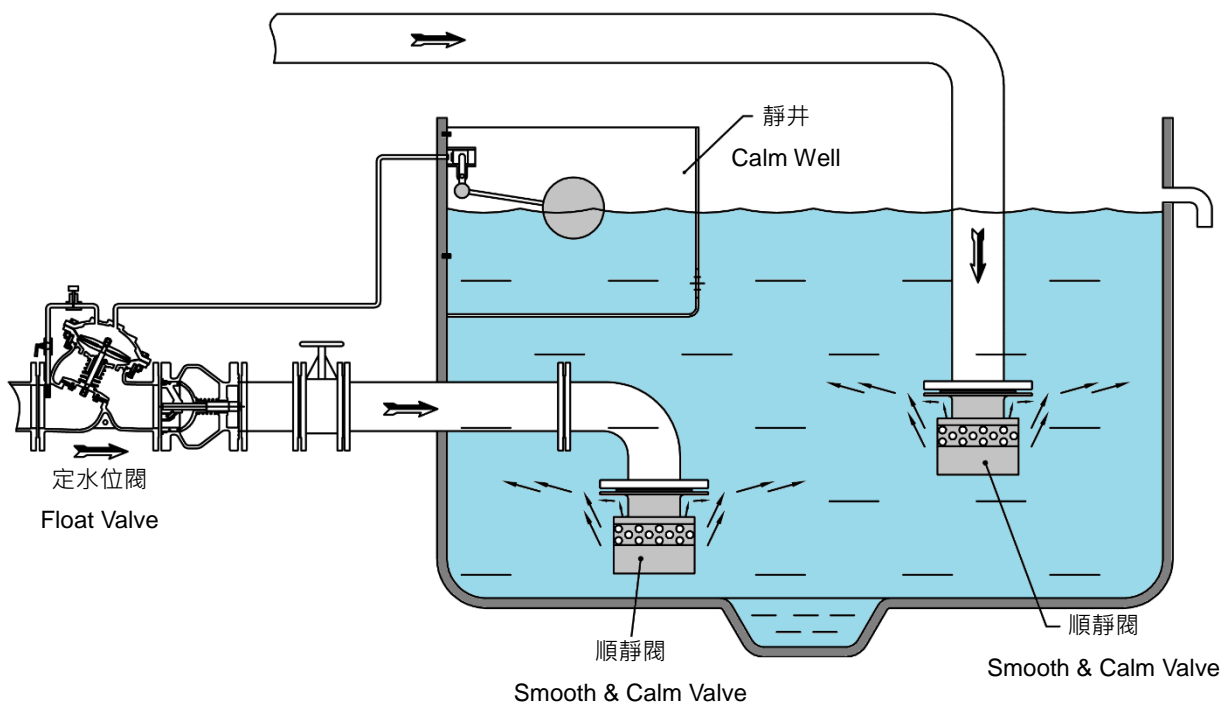
- 採用一體式結構，方便現場安裝  
One compact unit construction, easy to install on job site.
- 不鏽鋼材質，無需保養、維護，永久使用  
Stainless steel material, no maintenance and repair required, forever use.
- 獨特的內部全流量順靜籠設計  
Unique internal full flow smoothing & calming cage design.
- 優異的減小水流衝擊性能  
Excellent performance to reduce the water flow surge.
- 平靜補水，無波浪  
Calming feed water, no waves.

### 介紹 Introduction

順靜閥是一種安裝在水池或者大型儲罐的給水系統末端的閥門，主要是防止給水時，引起的水流擾動及水面大波浪。由於水面波浪會導致浮球上下波動，使定水位閥頻繁開、關，產生水錘效應。順靜閥可以保護給水系統的工作穩定和使用壽命，同時確保水質不受沉澱物翻滾污染。

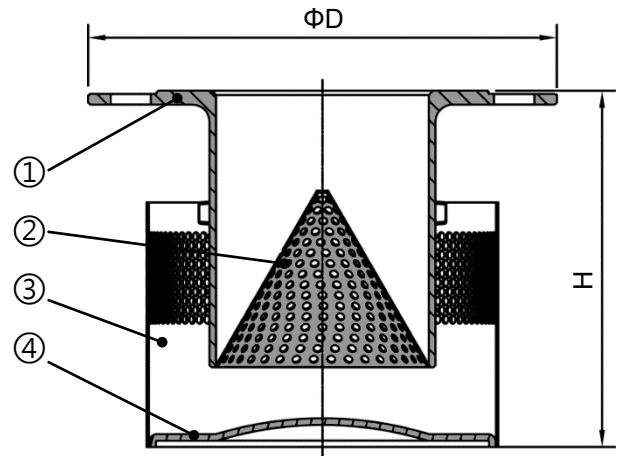
Smooth & Calm Valve is the valve installed at the end of the feed water system of the pond or the big storage tank, mainly to prevent the floating ball fluctuated up and down that is caused by the flow turbulence and big waves on the water surface during the feed water. As the big waves on the water surface would cause the fluctuation of the floating ball, it will make the Valve open and close frequently and then will cause the water hammer effect. Smooth & Calm Valve can protect the whole feed water system to work stably for a long life time, and can ensure the water quality that won't be polluted by the tumbling sediment.

### 應用典範示意圖 Typical Application Diagram



## 結構材質 Material of Construction

No.	Parts Name	Material
1	法蘭 Flange	不鏽鋼 Stainless Steel
2	順靜籠 Smoothing & Calming Cage	不鏽鋼 Stainless Steel
3	緩流罩 Slow Flow Hood	不鏽鋼 Stainless Steel
4	底板 Bottom Board	不鏽鋼 Stainless Steel



## 閥門規格 Specification

流體 Fluid : 清水 Clean Water

法蘭規格 Flange : 10K

工作溫度 Working Temp. : 常溫 Constant Temp.

※如需 DN250 以上，或其它法蘭規格，請與廠商聯絡。

If need the size over DN250, or other specifications of flange, please contact the manufacturer.

## 外形尺寸 Dimension

公稱口徑 DN(mm)	D	H
50	155	155
65	175	155
80	185	170
100	210	170
125	250	210
150	280	210
200	330	300

※When installing the valve, strongly request to leave enough space for maintenance.

安裝閥門時，強烈要求預留足夠空間以便日後之維護工作。

※King-Tech reserves the right to make any revisions on the valve model and size without prior notification.

寶閥公司保留不經事先通知及對其閥門型號、尺寸逕行更改之權利！

※When making any design drawing, installation drawing or construction drawing, please do get our approved CAD with our signature, or we will not be responsible for any mistake.

如製作設計圖、安裝圖或施工圖等，請務必取得本公司簽署確認之 CAD 圖稿，否則如有發生錯誤情況，請恕本公司無法負責！

寶閥精密工業股份有限公司

King-tech Valve Precision Industry Inc.



臺北市新生北路二段 127 巷 47 號 1F

www.kingtech-sb.com

E-mail: sb.wow@msa.hinet.net



經銷商 Distributor