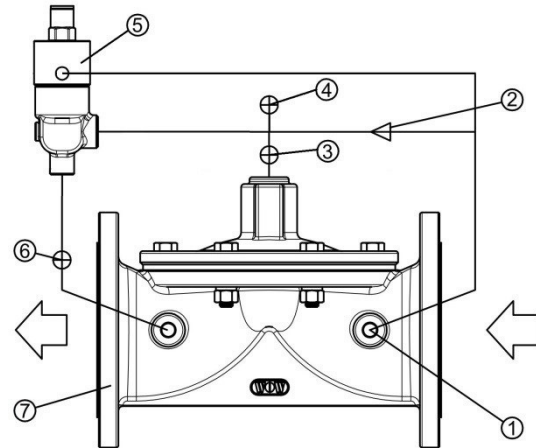


配件列表 Accessories :

序號 No.	名稱 Parts Name
1	過濾器 Filter
2	關閉速度控制閥 Speed Controller
3	球閥 Isolation Valve
4	球閥 Isolation Valve
5	持、背壓器 Pilot
6	球閥 Isolation Valve
7	基本閥體 Main Valve

配管示意圖 Distribution diagram :



安裝 Installation :

1. 安裝前，請確認閥門使用之介質與場合是否正確。
Before installation, make sure that the valve was selected suitable for service fluid.
2. 安裝前，請先清潔管道，確保管道內沒有碎片、雜質、砂石或其他異物。
Before installation, clean the pipes, make sure that no debris, impurities, sand or other foreign matter in the pipe.
3. 閥門入口端請務必安裝過濾器，確保進入閥門為乾淨流體，以免異物堵塞閥門，使閥門無法正常工作。
Be sure to install filter on the valve inlet side to ensure a clean fluid into the valve and avoid valve doesn't work generated by blockage.
4. 建議在閥門入口端和出口端安裝閘閥，便於日後保養和維修。
Recommends that the valve inlet and outlet ends shall have gate valves for isolation once future maintenance and repair to be required.
5. 建議安裝旁通閥，避免日後閥門保養、維修時，系統無法正常供水。
It is recommended to install a bypass valve to keep supply still if future maintenance or repair was required to do.
6. 依照閥門箭頭指示安裝，箭頭所指方向應與水流方向相同。
The arrow indication on valve body must be same way with flow direction of pipe.
7. 閥門可水平或垂直安裝，不影響閥門的工作效率。但要確保閥門周圍有足夠空間用於調整、維護、拆卸。
The valve can be installed horizontally or vertically, does not affect the efficiency of the valve. But make sure there is enough space around the valve for adjustment, maintenance, and disassembly.
8. 安裝閥門時，要留意閥門配管系統。一旦配管系統損壞，閥門將無法正常工作。
When installing the valve, pay attention to the valve pilot tubing device. Once the tubing device is damaged, the valve will not work.