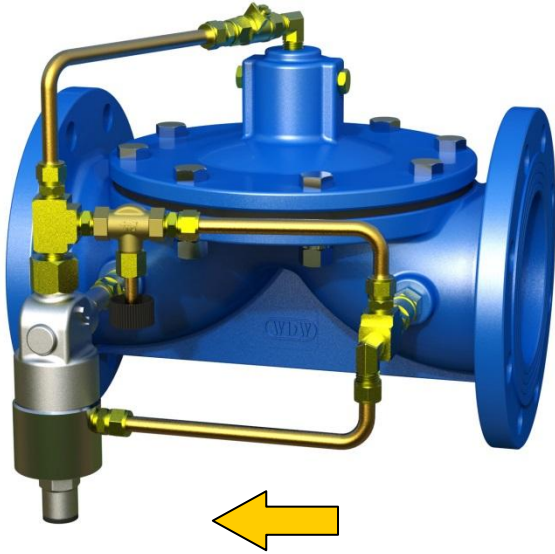




Pressure Relief, Sustaining, Back Valve

Model: **47-03**



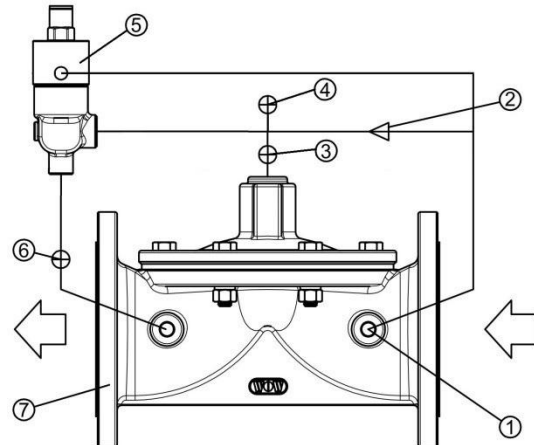
- Sensitive, accurate pressure control
- Reliable and excellent sealing
- Quickly open valve, ensure pipe pressure
- Slow shut off design and impact prevention
- Completely automatic operation

Model 47-03 pressure relief, sustaining, back pressure valve can maintain upstream pipe pressure. It is applied for pressure relief, sustaining, back impact problems. during operation, through pilot to sense the valve inlet pressure and control the open/close of the valve. when the input pressure is over the preset value, valve will quickly open and maintain the pressure in the pipe. After pressure relief, the valve will close slowly to prevent impact happening.

Accessories

No.	Parts Name
1	Strainer
2	Needle valve / Ball valve
3	Ball valve
4	Ball valve
5	Pilot of pressure relief, sustaining, back
6	Ball valve
7	Basic valve body

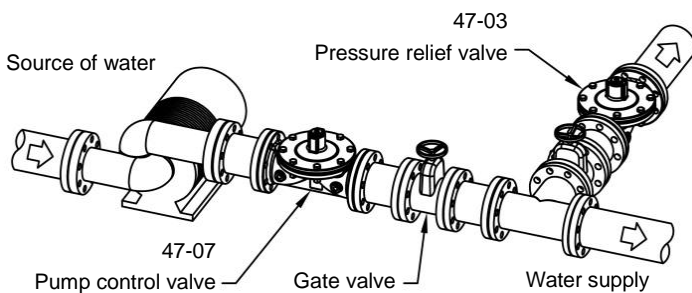
Schematic Diagram



Typical Application

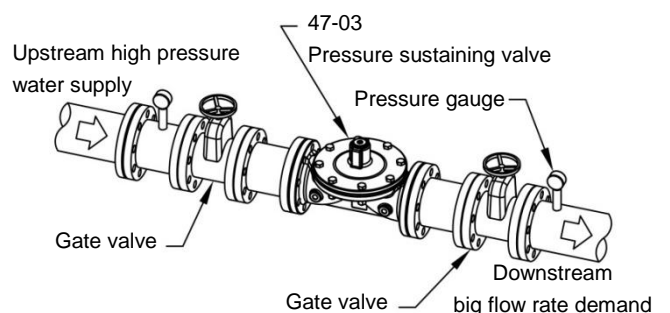
● Pressure Relief Valve

To prevent high pressure impact happened at the time pump shut down, the quick open and slow close model 47-03 valve can release the unexpected high pressure to protect system piping and avoid water hammer problem.

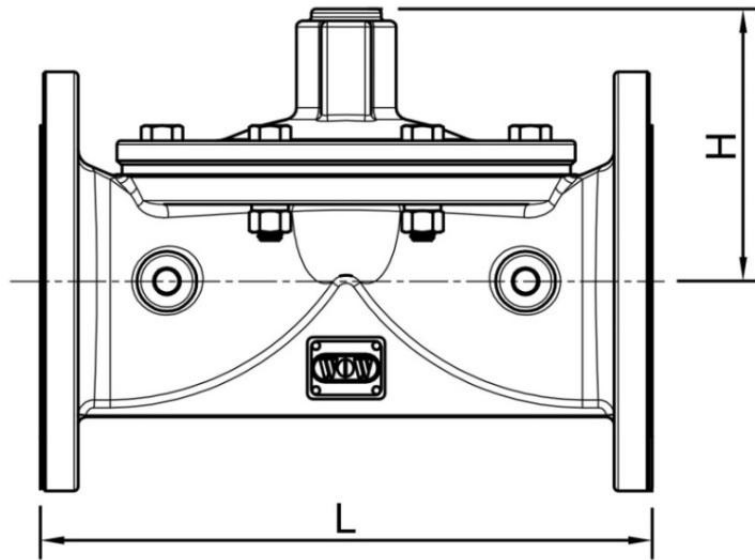


● Sustaining Valve

47-03 can be used as sustaining valve by installing it between upstream high pressure water supply and downstream big flow rate demand. It can maintain upstream supply pressure to avoid over flow rate problem which will lead upstream supply pressure loss.



Dimension



Valve size	50	65	80	100	125	150	200	250	300
L(mm)	200	220	285	307	370	390	500	605	650
H(mm)	87	109	115	137	142	164	183	244	258
Weight(kg)	7	9	16	18	37	48	83	120	140

Notice :

- ※When installing the valve, strongly request to leave enough space for maintenance. It is necessary to install the filter at the front section of the valve to avoid foreign materials to block the valve and affect the operation of the valve.
- ※King-Tech reserves the right to make any revisions on the valve model and size without prior notification.
- ※When making any design drawing, installation drawing or construction drawing, please do get our approved CAD with our signature, or we will not be responsible for any mistake.

Specification

Size : DN50~DN300 to flange
 Flange : 10K、16K、PN16、150LB
 Temp. range : 0°C~100°C · water
 ※Any size over DN350 can be made to order.

Material

Body : Iron casting / Stainless steel
 Accessory : Brass / Stainless steel
 Fastener : Carbon steel / Stainless steel
 Diaphragm : NBR / EPDM

Pilot Specification

Pressure adjustment range : 1~4 bar、3~9 bar、7~16 bar
 Temp. range : 0°C~100°C · water
 Material : Brass / Stainless steel

When Ordering, Please Specify

- 1、Valve model number
- 2、Valve size
- 3、Pressure range
- 4、Connection type
- 5、Other optional parts
- 6、Working pressure

King-tech Valve Precision Industry Inc.



www.kingtech-sb.com
 E-mail: sb.wow@msa.hinet.net

1F, No. 47, Lane 127, sect 2, North Xinsheng Road Taipei



Distributor