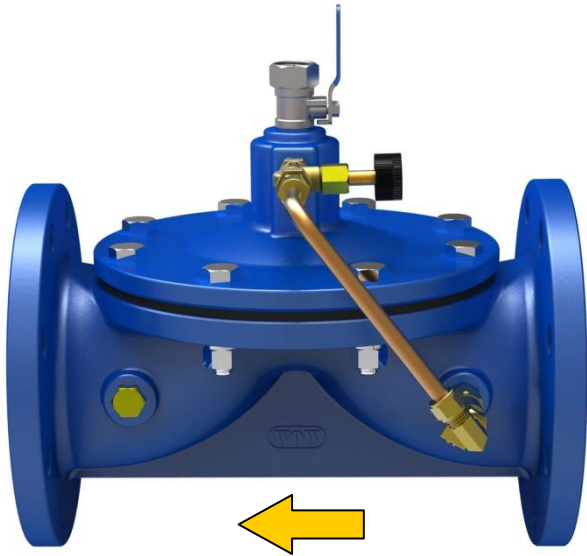




Float Valve

Model: 47-01



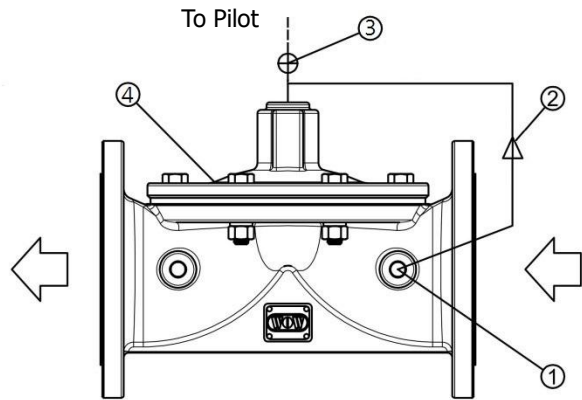
- Accurate \ repeatable water level control
- Reliable self-hydraulic pressure control
- Tightly shut off \ reliable sealing
- Completely automatic operation

Model 47-01 float valve is hydraulic pressure controlled and can maintain the water level at a stable level in the tank by using a pilot to control the diaphragm control valve. The float pilot is installed at the high-water level in the tank and connected with the main valve. When the water level is changed, Pilot will open or close the valve accordingly and maintain the water level in the range.

Accessories

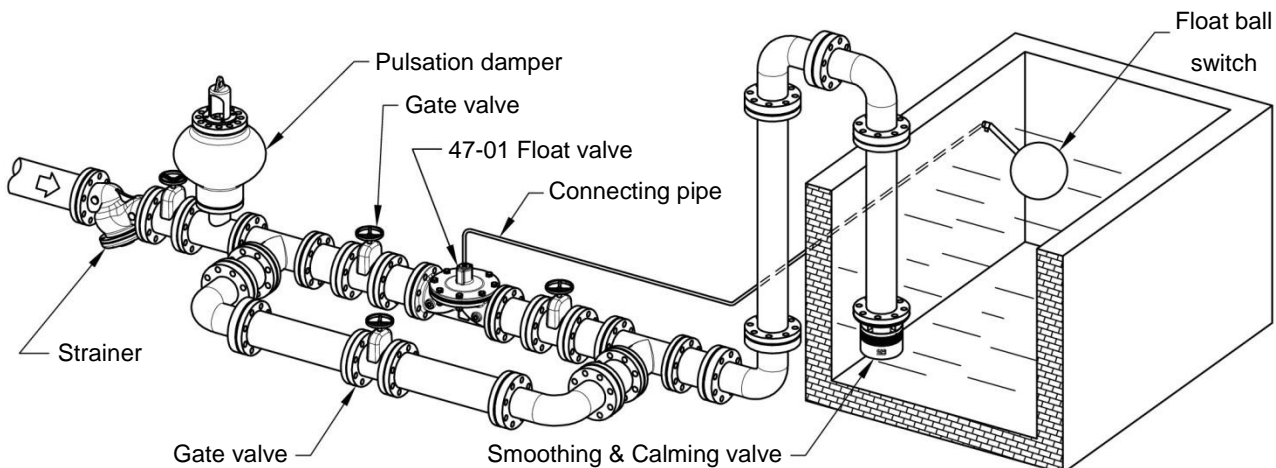
No.	Parts Name
1	Strainer
2	Needle valve / Ball valve
3	Ball valve
4	Basic valve body

Schematic Diagram

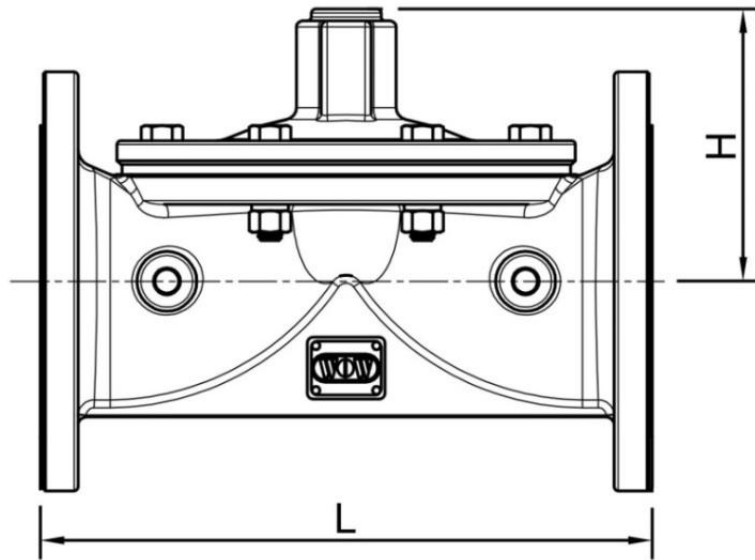


Typical Application

The installation of valve and float ball switch is as illustrated. The float ball switch is installed at the outlet of the connecting pipe, and fixed at the pre-set water level. The valve outlet must be far away from the float ball switch at least 5 meters away. Suggest to install a smoothing & calming valve at the outlet to avoid the wave of outlet water which will cause the valve tap opened and closed frequently and make vibration noise to shorten the valve life.



Dimension



Valve size	50	65	80	100	125	150	200	250	300
L(mm)	200	220	285	307	370	390	500	605	650
H(mm)	87	109	115	137	142	164	183	244	258
Weight(kg)	7	9	16	18	37	48	83	120	140

Notice :

- ※When installing the valve, strongly request to leave enough space for maintenance. It is necessary to install the filter at the front section of the valve to avoid foreign materials to block the valve and affect the operation of the valve.
- ※King-Tech reserves the right to make any revisions on the valve model and size without prior notification.
- ※When making any design drawing, installation drawing or construction drawing, please do get our approved CAD with our signature, or we will not be responsible for any mistake.

Specification

Size : DN50~DN300 to flange
 Flange : 10K 、 16K 、 PN16 、 150LB
 Temp. range : 0°C~100°C · water
 Working pressure over 0.7 bar
 ※Any size over DN350 or for very low pressure can be made to order.

Material

Body : Iron casting / Stainless steel
 Accessory : Brass / Stainless steel
 Fastener : Carbon steel / Stainless steel
 Diaphragm : NBR / EPDM

Pilot Specification

Pilot : 1/2" float valve (Need to order separately)
 Temp. range : 0°C~100°C · water
 Material : Brass / Stainless steel

When Ordering, Please Specify

- | | |
|------------------------|--------------------------|
| 1 、 Valve model number | 4 、 Connection type |
| 2 、 Valve size | 5 、 Other optional parts |
| 3 、 Pressure range | 6 、 Working pressure |

King-tech Valve Precision Industry Inc.



www.kingtech-sb.com
 E-mail: sb.wow@msa.hinet.net

1F, No. 47, Lane 127, sect 2, North Xinsheng Road Taipei



Distributor