

- Accurate \ repeatable water level control
- Reliable self-hydraulic pressure control
- Tightly shut off \ reliable sealing
- Completely automatic operation

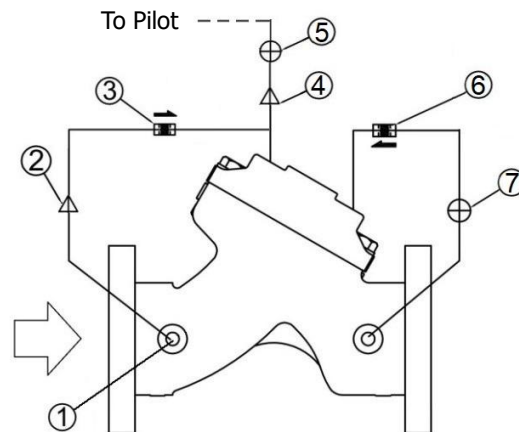
Model 41-01 float valve is hydraulic pressure controlled and can maintain the water level at a stable level in the tank by using a pilot to control the diaphragm control valve. The float pilot is installed at the high-water level in the tank and connected with the main valve. When the water level is changed, Pilot will open or close the valve accordingly and maintain the water level in the range.

If a check feature is added, and a pressure reversal occurs, the downstream pressure is admitted in the main valve cover chamber closing the valve to prevent return flow.

## Accessories

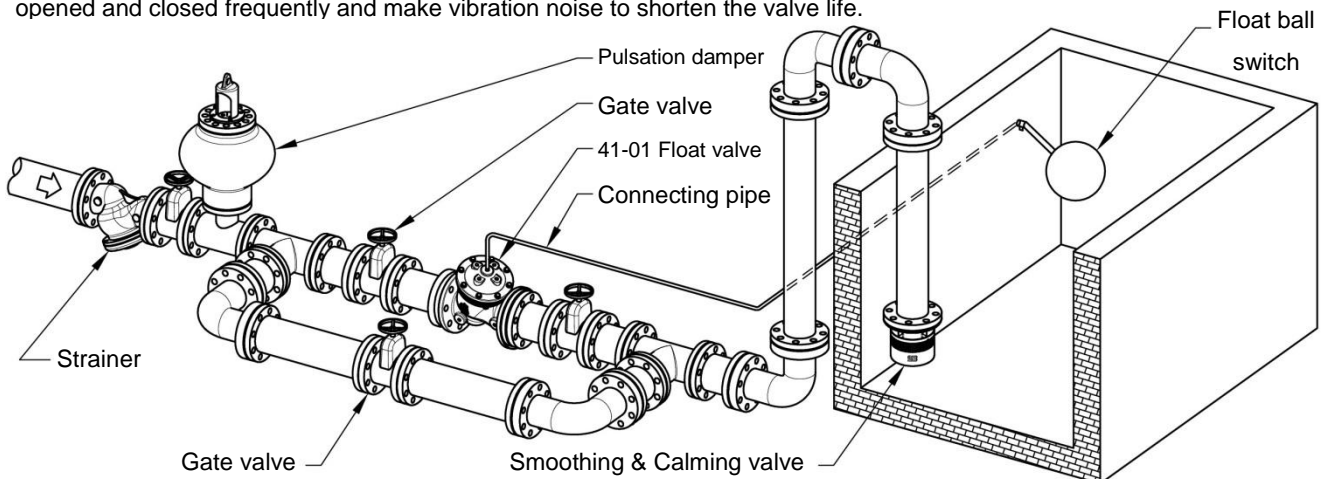
No.	Parts Name
1	Strainer
2	Close Speed Control
3	Check Valve(Optional)
4	Open Speed Control(Optional)
5	Ball Valve
6	Check Valve(Optional)
7	Ball Valve (Optional)

## Schematic Diagram

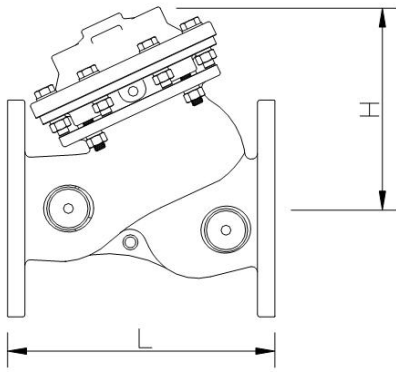


## Typical Application

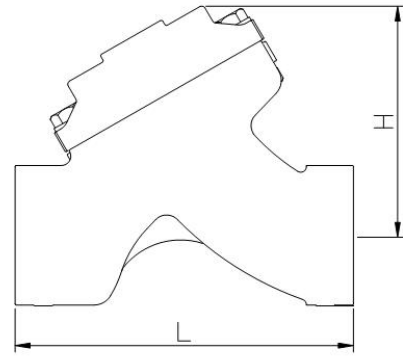
The installation of valve and float ball switch is as illustrated. The float ball switch is installed at the outlet of the connecting pipe, and fixed at the pre-set water level. The valve outlet must be far away from the float ball switch at least 5 meters away. Suggest to install a smoothing & calming valve at the outlet to avoid the wave of outlet water which will cause the valve tap opened and closed frequently and make vibration noise to shorten the valve life.



## Dimension



DN50~DN400 Flange



DN50 Thread

Valve size	50 Tr	50	65	80	100	125	150	200	250	300	350	400
L(mm)	184	205	229	250	320	370	415	500	605	725	733	990
H(mm)	123	155	182	186	242	276	308	418	488	572	598	866
Weight(kg)	6	11	13	22	37	46	75	125	217	370	380	846

**Notice :**

- ※When installing the valve, strongly request to leave enough space for maintenance. It is necessary to install the filter at the front section of the valve to avoid foreign materials to block the valve and affect the operation of the valve.
- ※King-Tech reserves the right to make any revisions on the valve model and size without prior notification.
- ※When making any design drawing, installation drawing or construction drawing, please do get our approved CAD with our signature, or we will not be responsible for any mistake.

### Specification

Size : DN50~DN400 to flange  
 DN50 to Thread  
 Flange : 10K、16K、PN16、150LB  
 Temp. range : 0°C~100°C · water  
 ※Any size over DN450 can be made to order.

### Material

Body : Ductile Iron / Stainless steel  
 Accessory : Brass / Stainless steel  
 Fastener & Spring : Carbon steel / Stainless steel  
 Diaphragm : NBR / EPDM  
 Stem : Stainless Steel

### Pilot Specification

Pilot : 1/2" float valve (Need to order separately)  
 Temp. range : 0°C~100°C · water  
 Material : Brass / Stainless steel

### When Ordering, Please Specify

- |                      |                        |
|----------------------|------------------------|
| 1、Valve model number | 4、Connection type      |
| 2、Valve size         | 5、Other optional parts |
| 3、Pressure range     | 6、Working pressure     |

## King-tech Valve Precision Industry Inc.



www.kingtech-sb.com  
 E-mail: sb.wow@msa.hinet.net

1F, No. 47, Lane 127, sect 2, North Xinsheng Road Taipei



### Distributor