



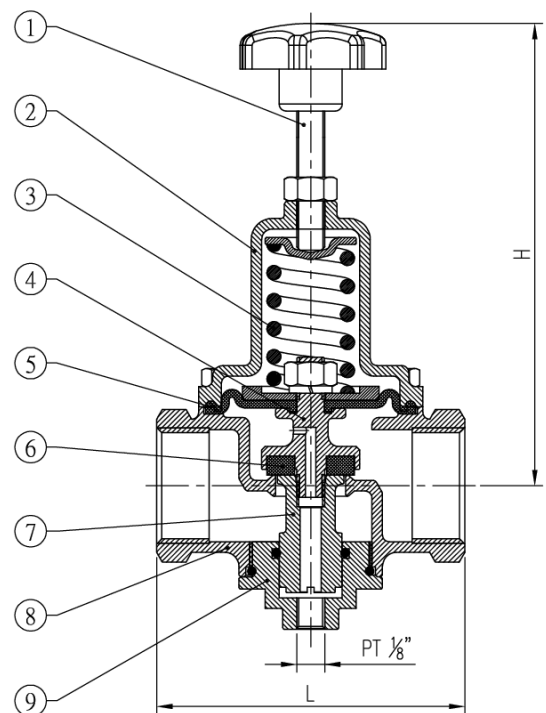
- 入口端壓力直通氣室隔膜，調壓時反映靈敏，調壓精準  
When the inlet pressure directly responds to the pressure control chamber to adjust setting pressure, the response is sensitive and adjustment can be very precise.
- 閥體和上蓋用螺栓及螺母對鎖固定，非螺紋連結，此結構能有更緊固的密封  
The valve's body and cover are connected with bolts and nuts instead of thread. This kind of design brings easy and tight seal.
- 入口壓力可通過 PT 1/8" 測量口讀取  
The inlet pressure can be directly read from the gauge port PT 1/8".

洩壓、持壓、背壓閥是隔膜控制閥。管線壓力到達設定值時，閥門自動開啟，系統正常工作時，閥門受壓縮彈簧的壓迫，處於常關狀態，閥門的有效受壓面積比閥座大很多，所以設定壓力可以很精確，閥門對入口壓力的反映很靈敏。

The valve is a diaphragm actuated pressure relief Valve. It opens automatically against the adjustable, preset spring loading whenever line pressure exceeds the setting of the spring. It is held in a normally closed position by the force of the compression spring. Effective diaphragm area is large in relation to the seat area and the action therefore is positive, precise, and dependable.

### 結構材質 Material of Construction

| No. | 零件 Parts Name        | 材質 Material                    |
|-----|----------------------|--------------------------------|
| 1   | 調壓螺絲 Adjusting screw | 不鏽鋼 SUS                        |
| 2   | 上蓋 Cover             | 不鏽鋼 SUS                        |
| 3   | 彈簧 Spring            | 碳鋼 / 不鏽鋼<br>Carbon steel / SUS |
| 4   | 芯桿 Stem              | 不鏽鋼 SUS                        |
| 5   | 隔膜 Diaphragm         | NBR / EPDM                     |
| 6   | 墊圈 Gasket            | NBR / EPDM                     |
| 7   | 活塞 Piston            | 不鏽鋼 SUS                        |
| 8   | 閥體 Body              | 不鏽鋼 SUS                        |
| 9   | 底蓋 Bottom cover      | 不鏽鋼 SUS                        |



※不鏽鋼材質為 304 或 316

The material of stainless steel is 304 or 316

## 外形尺寸 Dimension

| 口徑 Size | 1/2" | 3/4" | 1"  | 1-1/4" | 1-1/2" | 2"  |
|---------|------|------|-----|--------|--------|-----|
| L (mm)  | 78   | 88   | 88  | 122    | 122    | 160 |
| H (mm)  | 130  | 140  | 140 | 200    | 200    | 220 |

## 閥門規格 Specification

閥門尺寸 Size : 1/2"~2"

類型 Type : 隔膜直動式 Direct acting diaphragm

控制源 Primarily controlled by : 上游水壓 Upstream hydraulic pressure

功能 Purpose : 將超出設定值的入口壓力排出 To release inlet exceeding pressure over the maximum level preset

連接方式 Connections : PT 牙口 Threaded end

材質 Material : SUS304 / SUS316

適用介質 Media available : 常溫之水、空氣、瓦斯 Normal temperature water, Air, Gas

最大工作溫度 Max working temp. : 100°C

最大入口壓力 Max working pressure : 17.2 bar (250 psi)

調壓範圍 Pressure adjustment range : 0.5~6 bar (7~87 psi) 、 5~10 bar (72~145 psi)

※可依您的需求訂製其他調壓範圍 Additional ranges are available depending on your requirement.

## 訂購時請提供以下資料 When Ordering, Please Specify

1. 閥門型號 Valve model number
2. 閥門口徑 Valve size
3. 工作壓力 Working pressure
4. 調壓範圍 Adjustment range

※安裝閥門時，強烈要求預留足夠空間以便日後之維護工作 When installing the valve, strongly request to leave enough space for maintenance.

※寶閥公司保留不經事先通知及對其閥門型號、尺寸逕行更改之權利！

King-Tech reserves the right to make any revisions on the valve model and size without prior notification.

※如製作設計圖、安裝圖或施工圖等，請務必取得本公司簽署確認之 CAD 圖稿，否則如有發生錯誤情況，請恕本公司無法負責！

When making any design drawing, installation drawing or construction drawing, please do get our approved CAD with our signature, or we will not be responsible for any mistake.

寶閥精密工業股份有限公司

King-tech Valve Precision Industry Inc.



臺北市新生北路二段 127 巷 47 號 1F

www.kingtech-sb.com

E-mail: sb.wow@msa.hinet.net



經銷商 Distributor