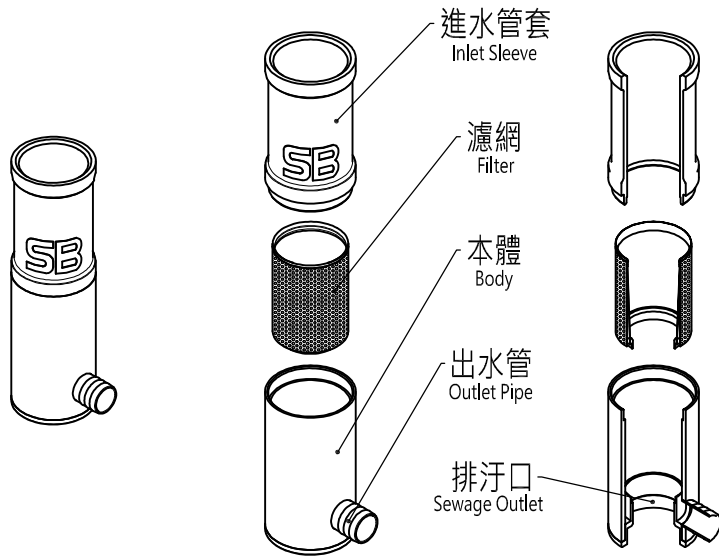


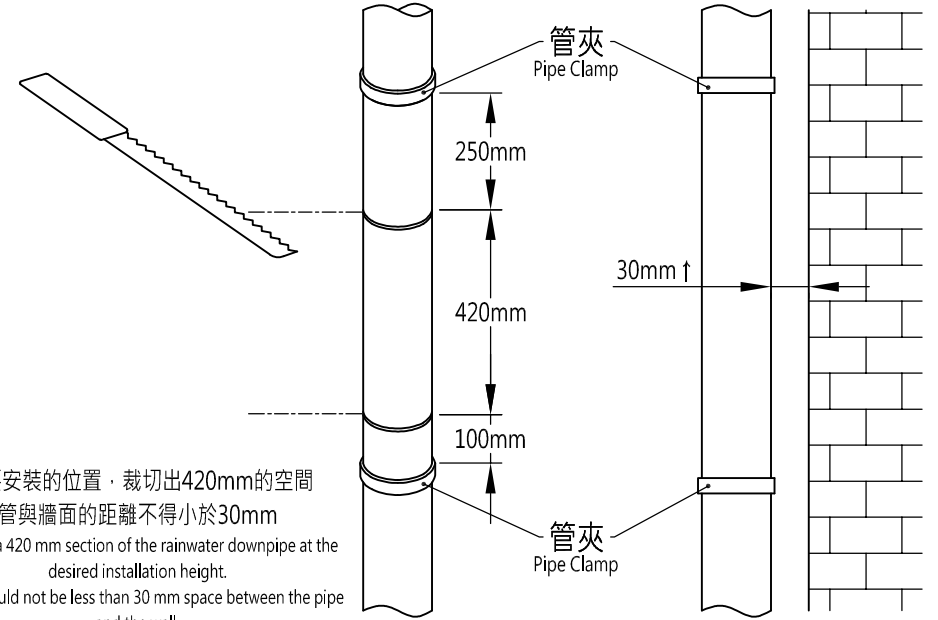
立管雨水回收過濾器安裝示意圖

Standpipe Rainwater Harvesting Filter Installation Diagram

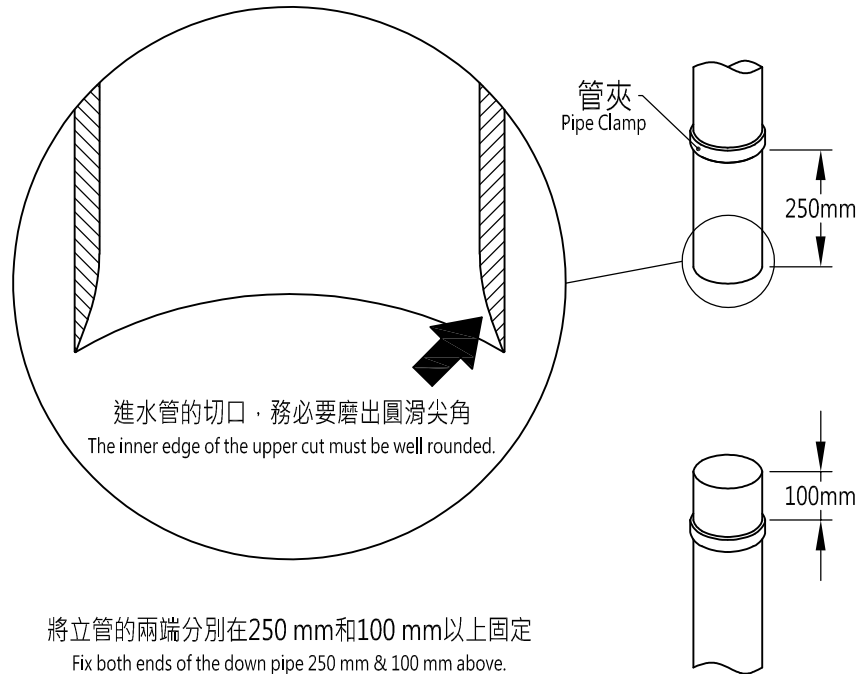
1



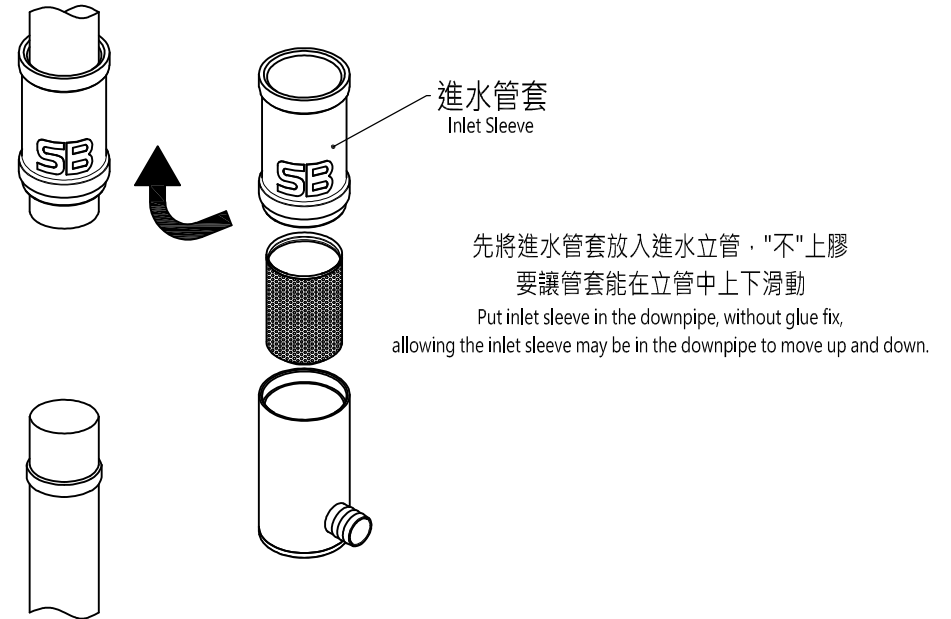
2



3



4



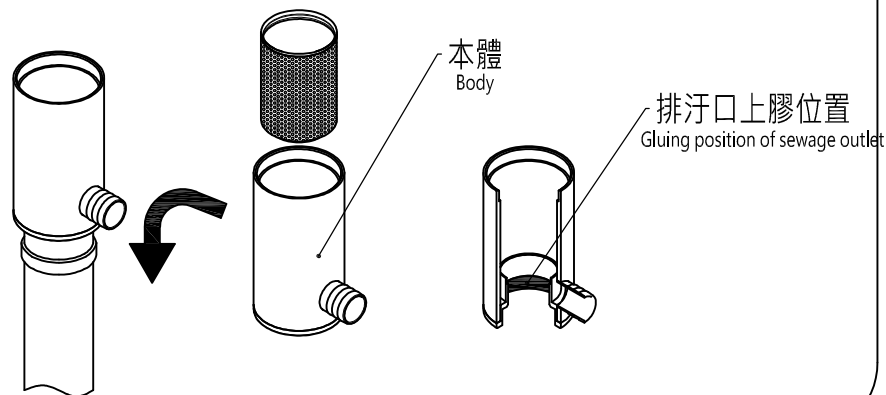
立管雨水回收過濾器安裝示意圖

Standpipe Rainwater Harvesting Filter Installation Diagram

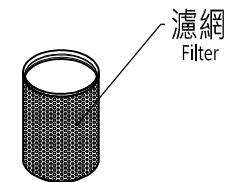
5



確定出水管方向後，本體排汙口要上膠與立管固定
After determine outlet pipe position, sewage outlet must gluing with downpipe.

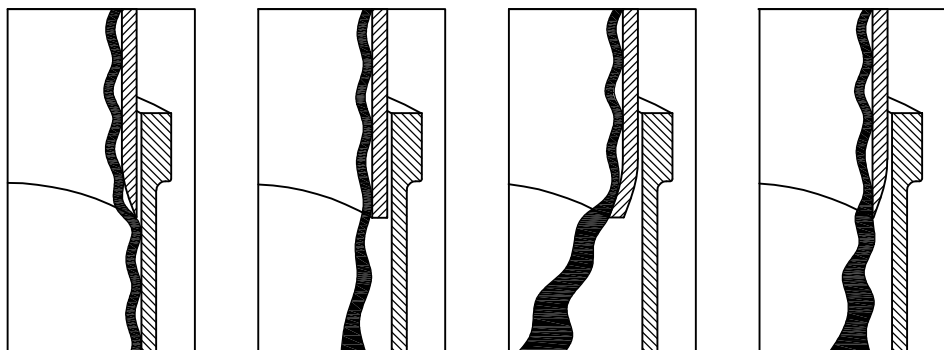


6



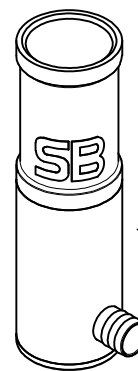
先把濾網放入本體，進水管套再下移蓋進本體
完成安裝
Put the filter in body,
then inlet sleeve move down to the body and complete installation.

7



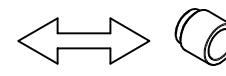
進水立管的切口形狀會影響雨水回收的性能
Downpipe cutting form will affect rainwater collection efficiency.

8

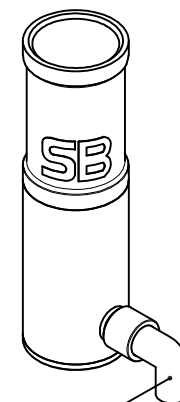


軟管接頭
Threaded hose joint

出水管接頭有2種形式
都是纏止洩帶鎖牙更換
There are two kinds of outlet pipe joints,
joint replacement need sealing strip and thread lock.



PVC接頭
Threaded PVC joint



為使回收水快速流出，建議出水口先朝下再接至水撲滿
It's recommended that the outlet pipe be directed downwards
to allow the filtered water to flow quickly to the storage tank.