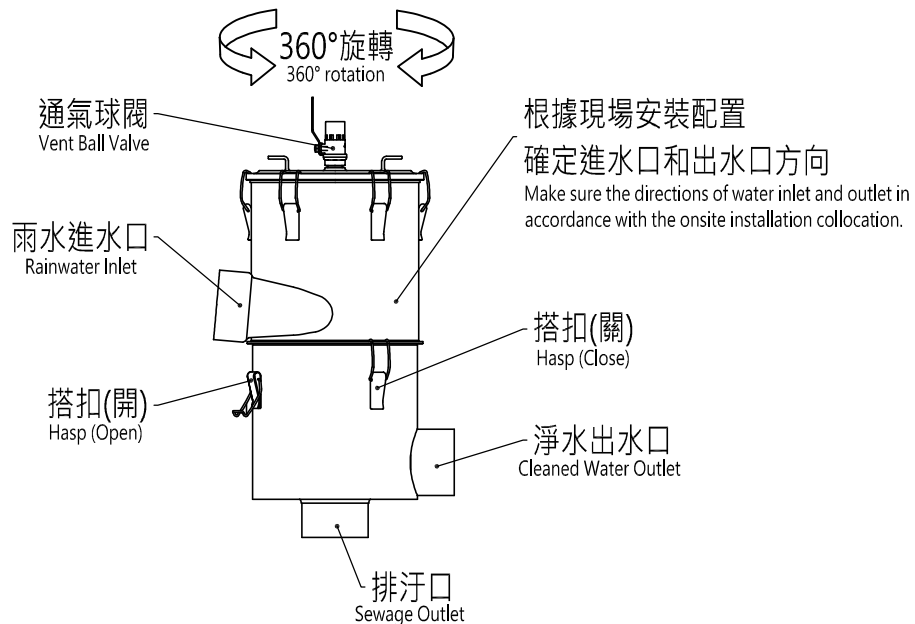


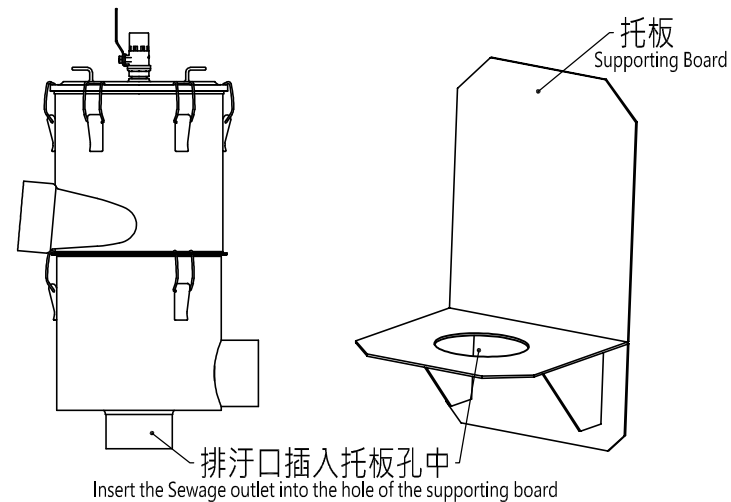
# 雨水回收過濾器安裝、操作、維護保養

## Rainwater Filter Installation / Operation / Maintenance Manual

1



2



說明：暫時固定閥門的位置，方便配管，如上圖之托板。

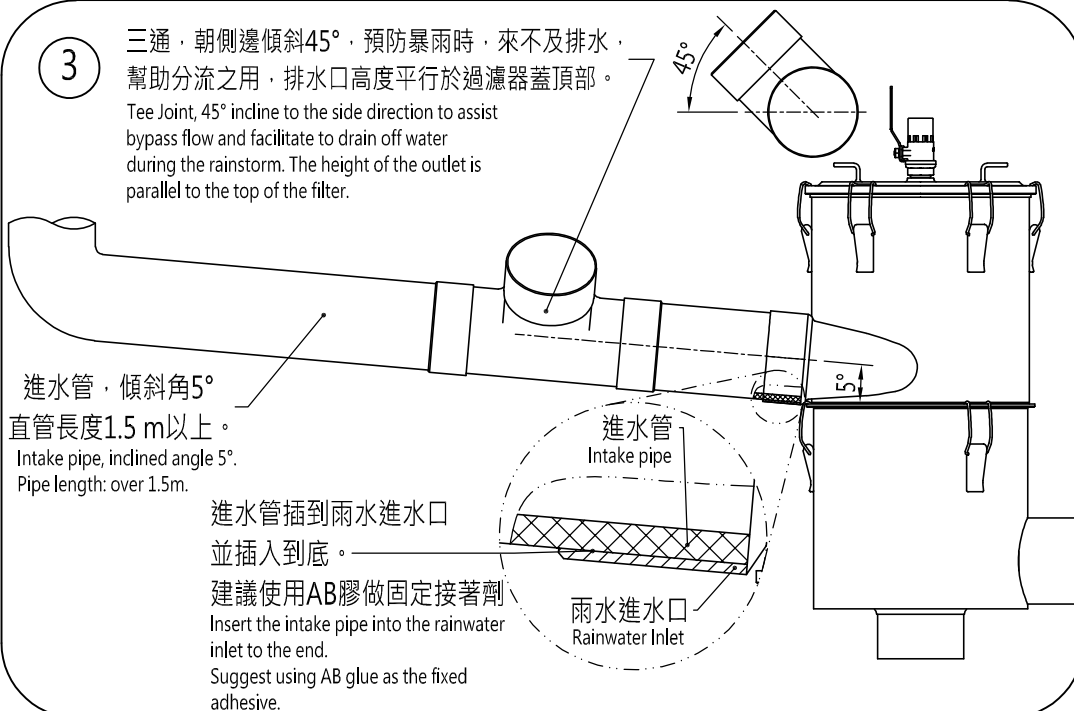
固定的支架種類：腳架、抱箍、托板等。可依現場實際配置委託工廠生產。

Note: The supporting board illustrated above is to temporarily fix the valve position to facilitate piping arrangement. Kinds of the fixed supports: Foot Stand, Holding Hoop and Supporting Board, etc. that can be sub-contracted production to the manufacturer according to the actual onsite collocation.

3

三通，朝側邊傾斜45°，預防暴雨時，來不及排水，幫助分流之用，排水口高度平行於過濾器蓋頂部。

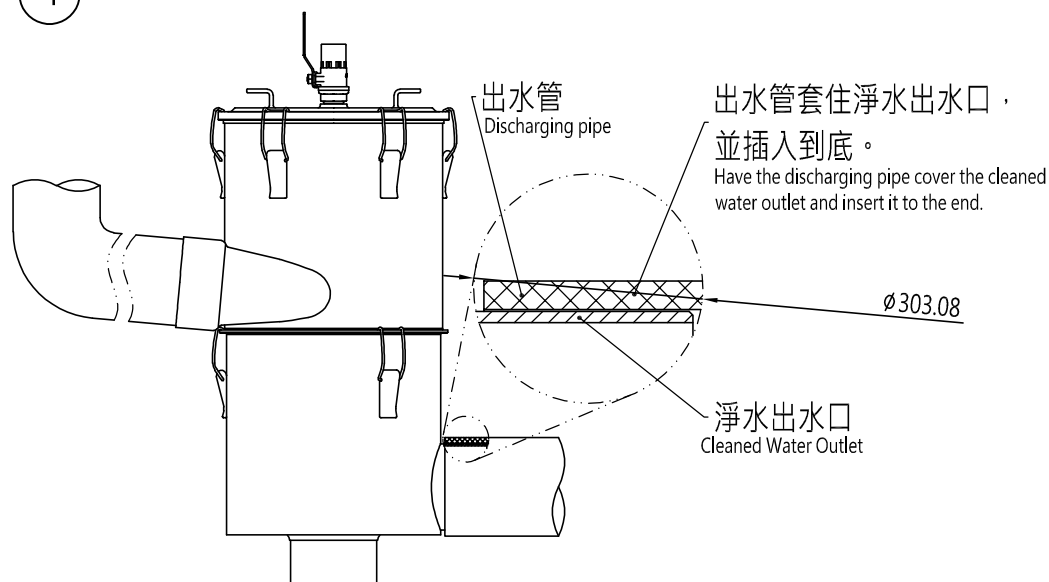
Tee Joint, 45° incline to the side direction to assist bypass flow and facilitate to drain off water during the rainstorm. The height of the outlet is parallel to the top of the filter.



進水管插到雨水進水口並插入到底。

建議使用AB膠做固定接著劑  
Insert the intake pipe into the rainwater inlet to the end.  
Suggest using AB glue as the fixed adhesive.

4

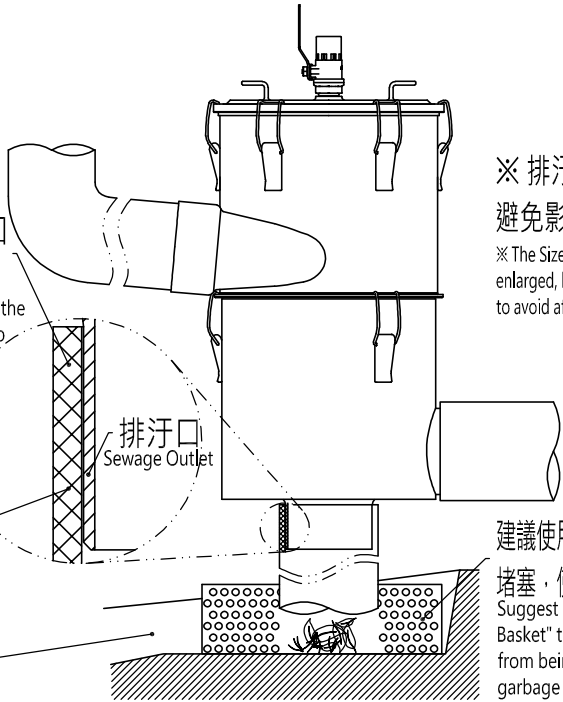


# 雨水回收過濾器安裝、操作、維護保養

## Rainwater Filter Installation / Operation / Maintenance Manual

5

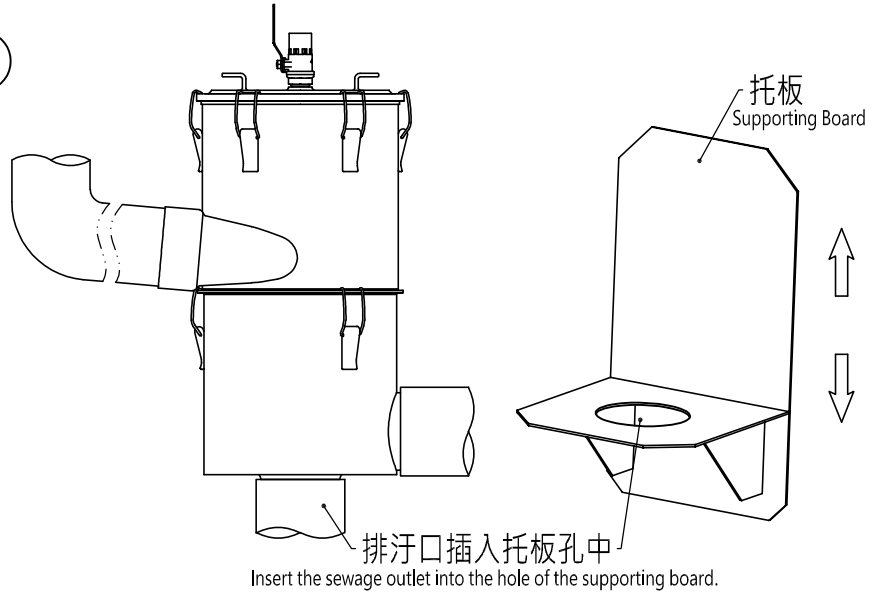
排汙管套住排汙口  
並插入到底。  
Have the sewage pipe cover the  
sewage outlet and insert it to  
the end.



※ 排汙管可放大，不可縮管  
避免影響排放  
※ The Size of the sewage discharge pipe can be  
enlarged, but cannot be reduced  
to avoid affecting the discharge.

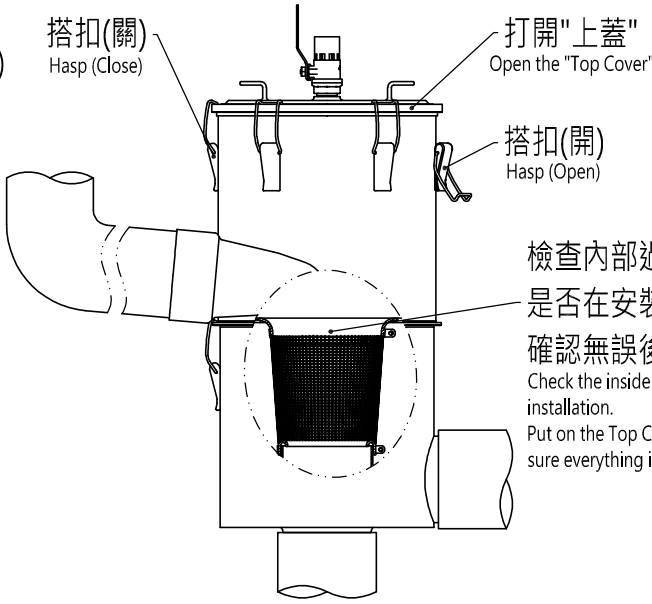
建議使用"廢物收集框"預防污水通道  
堵塞，使廢物集中處理或再利用。  
Suggest using the "Garbage Collection  
Basket" to prevent the Sewage Passageway  
from being blocked and to centralize the  
garbage for easy disposal or recycling.

6



說明：當三個口的配管完成後，調整托板支架位置並固定。  
Note: After completing the piping arrangement of rainwater inlet, cleaned water outlet and sewage outlet, adjust the stand position of the supporting board and then fasten it.

7

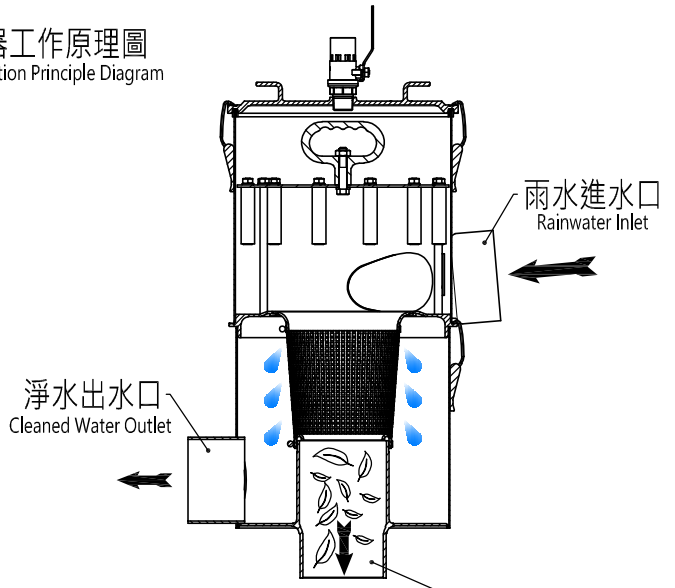


檢查內部過濾網  
是否在安裝過程中移位  
確認無誤後，蓋好上蓋，關閉搭扣。  
Check the inside filter to see if any displacement during  
installation.  
Put on the Top Cover and close the Hasp after making  
sure everything is OK.

說明：如檢查雨水回收過濾器是否堵塞，或清洗過濾裝置亦如此操作。  
Note: Take the same operation to check the blockage situation of the rainwater filter, or to clean the filter device.

8

過濾器工作原理圖  
Filter Operation Principle Diagram



※建議正常使用情況下，每年拆出濾網檢查清潔  
※It is recommended to remove the filter every year for inspection and cleaning.

# 雨水回收過濾器安裝示意圖 Rainwater Filter Installation Diagram

三通，朝側邊傾斜45°，排水口高度平行於過濾器蓋頂部。  
Tee Joint, 45° incline to the side direction, The height of the outlet is parallel to the top of the filter.

