



自動釋氣閥 Air Release Valve

Model: 80-02



- 自動釋氣閥可將水中的空氣迅速排除
Air Release Valve can quickly eliminate the air from the water.
- 內部皆為不鏽鋼零件、不鏽鋼浮球
All interior parts and the floating ball are made of stainless steel material.
- 不需任何特殊工具即可容易維修
Easily maintained without special tools.
- 大流量排氣
Large rate of flow to release the air.

自動釋氣閥可將水管內空氣排出，減少空氣造成的噪音、震動，維持控制閥穩定性、提高設備效率及有效抑制水鏽生成。
Air Release Valve can eliminate the air from the water pipes to reduce the noise, vibration caused by the air. It can also maintain the stable operation of the relevant control valve, advance the efficiency of the equipment and efficiently restrain watermarks or incrustations to be generated.

結構材質 Material of Construction

No.	Parts Name	Material
1	上蓋 Cover	不鏽鋼 Stainless Steel
2	閥體 Body	不鏽鋼 Stainless Steel
3	墊圈 Gasket	EPDM / VITON
4	排氣塞 Orifice Seal	EPDM / VITON
5	浮球 Float	不鏽鋼 Stainless Steel

※不鏽鋼材質為 304 或 316

The material of stainless steel is 304 or 316

閥門規格 Specification

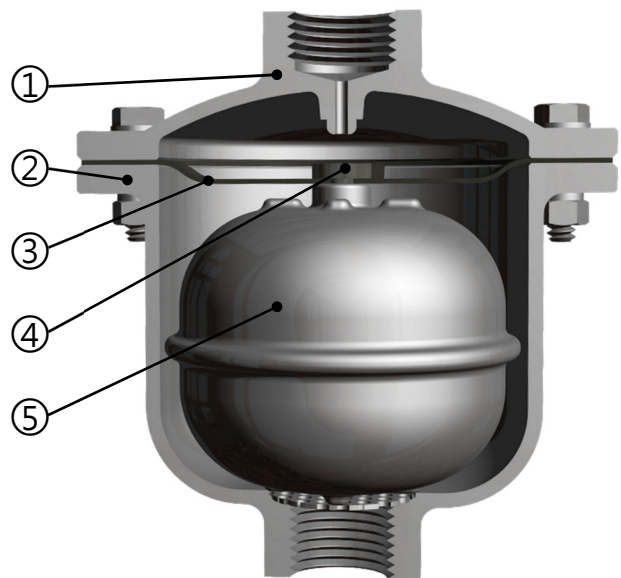
閥門尺寸 Size : DN15~DN100

最大工作壓力 Max working pressure : 12 bar

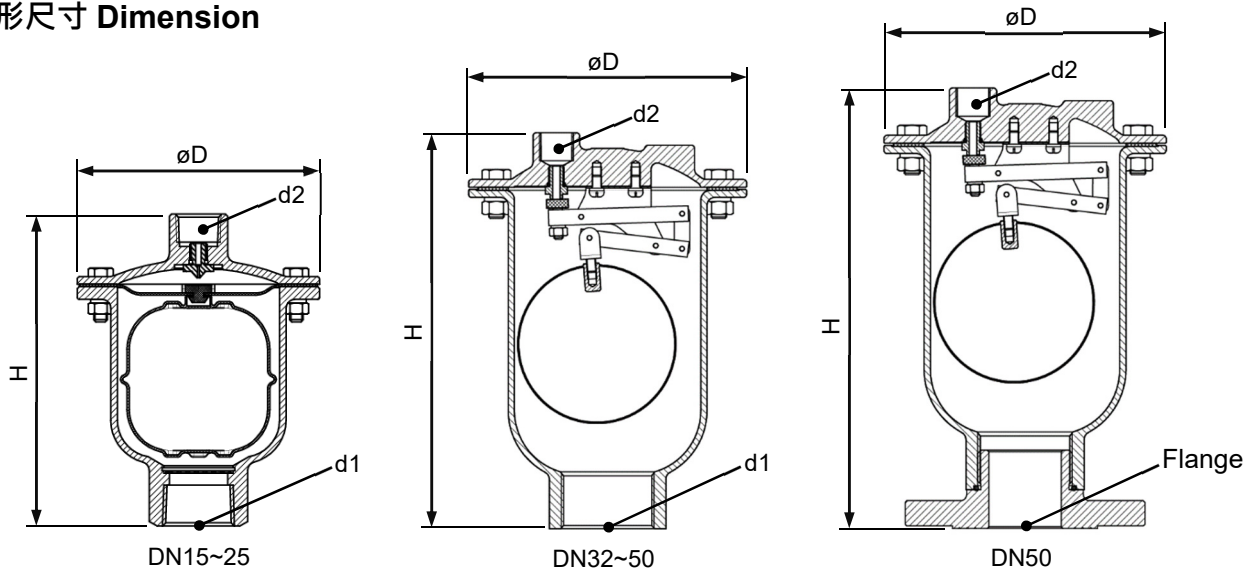
最大工作溫度 Max working temperature : 100°C / 220°C

※如需更高工作壓力，可接單生產

If need for very high working pressure, can be made to order.



外形尺寸 Dimension



閥門尺寸 Valve Size	D (mm)	H (mm)	d1 (PT)	d2 (PT)
螺紋口 Screw				
15	116	150	1/2"	1/2"
20	116	150	3/4"	
25	116	150	1"	
32	180	255	1-1/4"	
40	180	255	1-1/2"	
50	180	255	2"	
法蘭口 Flange (10K / PN16 / 150LB)				
50	180	265	-	1/2"
80	245	300	-	
100	245	300	-	

注意：排氣閥應垂直安裝在管道系統的高處位置

Note : The air release valve should be installed in a vertical position at high points in a pipe system.

※安裝閥門時，強烈要求預留足夠空間以便日後之維護工作 When installing the valve, strongly request to leave enough space for maintenance.

※寶閥公司保留不經事先通知及對其閥門型號、尺寸逕行更改之權利！

King-Tech reserves the right to make any revisions on the valve model and size without prior notification.

※如製作設計圖、安裝圖或施工圖等，請務必取得本公司簽署確認之 CAD 圖稿，否則如有發生錯誤情況，請恕本公司無法負責！

When making any design drawing, installation drawing or construction drawing, please do get our approved CAD with our signature, or we will not be responsible for any mistake.

寶閥精密工業股份有限公司

King-tech Valve Precision Industry Inc.



臺北市新生北路二段 127 巷 47 號 1F

www.kingtech-sb.com

E-mail: sb.wow@msa.hinet.net



經銷商 Distributor