



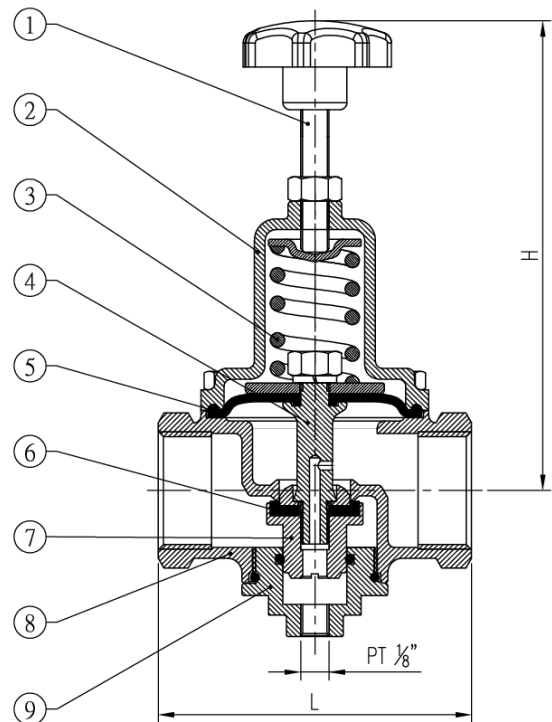
- 閥門採用常開式設計，不會因入口壓力不穩而影響供水
The valve adopts the OPEN design, hence water supply will not be affected due to instability in inlet pressure.
- 出口端壓力直通氣室隔膜，調壓時反映靈敏，調壓精準
When the outlet pressure directly responds to the pressure control chamber to adjust setting pressure, the response is sensitive and adjustment can be very precise.
- 閥體和上蓋用螺栓及螺母對鎖固定，非螺紋連結，此結構能有更緊固的密封
The valve's body and cover are connected with bolts and nuts instead of thread. This kind of design brings easy and tight seal.
- 出口壓力可通過 PT 1/8" 測量口讀取
The outlet pressure can be directly read from the gauge port PT 1/8".
- 可單獨使用，亦可作為減壓導向閥使用
Can be used individually, or can be used as a pressure reducing pilot.

結構材質 Material of Construction

No.	零件 Parts Name	材質 Material
1	調壓螺絲 Adjusting screw	不鏽鋼 SUS
2	上蓋 Cover	不鏽鋼 SUS
3	彈簧 Spring	碳鋼 / 不鏽鋼 Carbon steel / SUS
4	芯桿 Stem	不鏽鋼 SUS
5	隔膜 Diaphragm	NBR / EPDM
6	墊圈 Gasket	NBR / EPDM
7	閥蓋 Disk	不鏽鋼 SUS
8	閥體 Body	不鏽鋼 SUS
9	底蓋 Bottom cover	不鏽鋼 SUS

※不鏽鋼材質為 304 或 316

The material of stainless steel is 304 or 316



外形尺寸 Dimension

口徑 Size	1/2"	3/4"	1"	1-1/4"	1-1/2"	2"
L (mm)	78	88	88	122	122	160
H (mm)	130	140	140	200	200	220
CV	2.6	5.2	5.4	15	16	26

閥門規格 Specification

閥門尺寸 Size : 1/2"~2"

類型 Type : 隔膜直動式 Direct acting diaphragm

控制源 Primarily controlled by : 下游水壓 Downstream hydraulic pressure

功能 Purpose : 防止出口壓力超出預設值 To prevent outlet pressure from exceeding a preset maximum level

連接方式 Connections : PT 牙口 Threaded end

材質 Material : SUS304 / SUS316

適用介質 Media available : 常溫之水、空氣、瓦斯 Normal temperature water, Air, Gas

最大工作溫度 Max working temp. : 100°C

最大入口壓力 Max working pressure : 17.2 bar (250 psi)

調壓範圍 Pressure adjustment range : 0.3~6 bar (5~87 psi) 、 5~10 bar (72~145 psi)

※可依您的需求訂製其他調壓範圍 Additional ranges are available depending on your requirement.

訂購時請提供以下資料 When Ordering, Please Specify

1. 閥門型號 Valve model number
2. 閥門口徑 Valve size
3. 工作壓力 Working pressure
4. 調壓範圍 Adjustment range

※安裝閥門時，強烈要求預留足夠空間以便日後之維護工作 When installing the valve, strongly request to leave enough space for maintenance.

※寶閥公司保留不經事先通知及對其閥門型號、尺寸逕行更改之權利！

King-Tech reserves the right to make any revisions on the valve model and size without prior notification.

※如製作設計圖、安裝圖或施工圖等，請務必取得本公司簽署確認之 CAD 圖稿，否則如有發生錯誤情況，請恕本公司無法負責！

When making any design drawing, installation drawing or construction drawing, please do get our approved CAD with our signature, or we will not be responsible for any mistake.

寶閥精密工業股份有限公司

King-tech Valve Precision Industry Inc.



臺北市新生北路二段 127 巷 47 號 1F

www.kingtech-sb.com

E-mail: sb.wow@msa.hinet.net



經銷商 Distributor