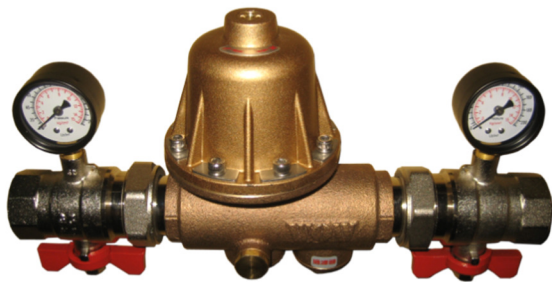


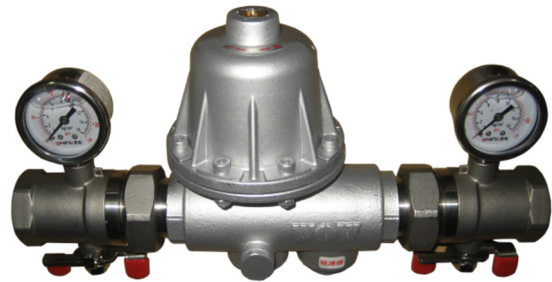


Large flow Pressure Reducing Valve assembly for household

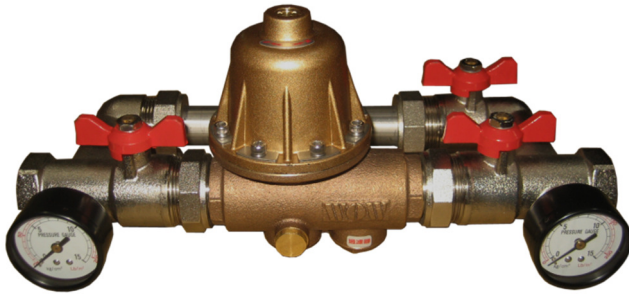
Model: 716



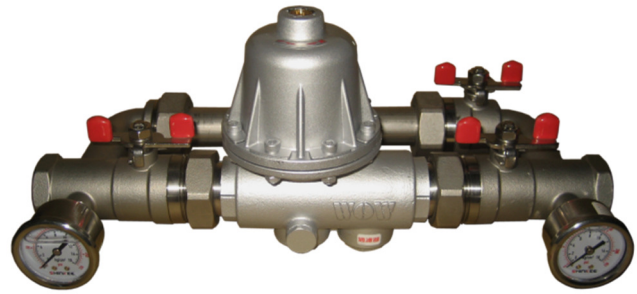
Straight through type, bronze



Straight through, stainless steel



Bypass type, bronze



Bypass type, stainless steel

Characteristic of SB's PRV for household

WOW's model 716 Large Flow Pressure Reducing Valve assembly for household can be used for household, enterprise, school, hospital and so on. The valve has low pressure loss and low noise. The reduced flow is larger than other type valves. A strainer is designed in the valve's inlet, and it is easy to remove the foreign matter like leaves, sticks and stones etc. And the valve can be cleaned inline.

Typical Application

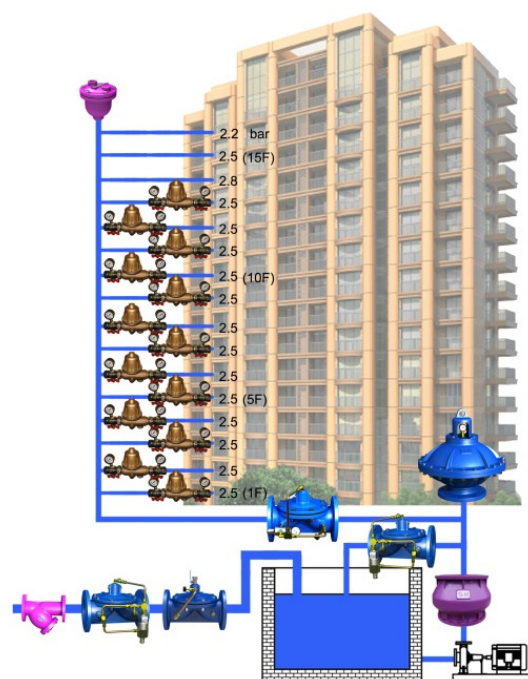
●Water supply:

A water case is on top of the building

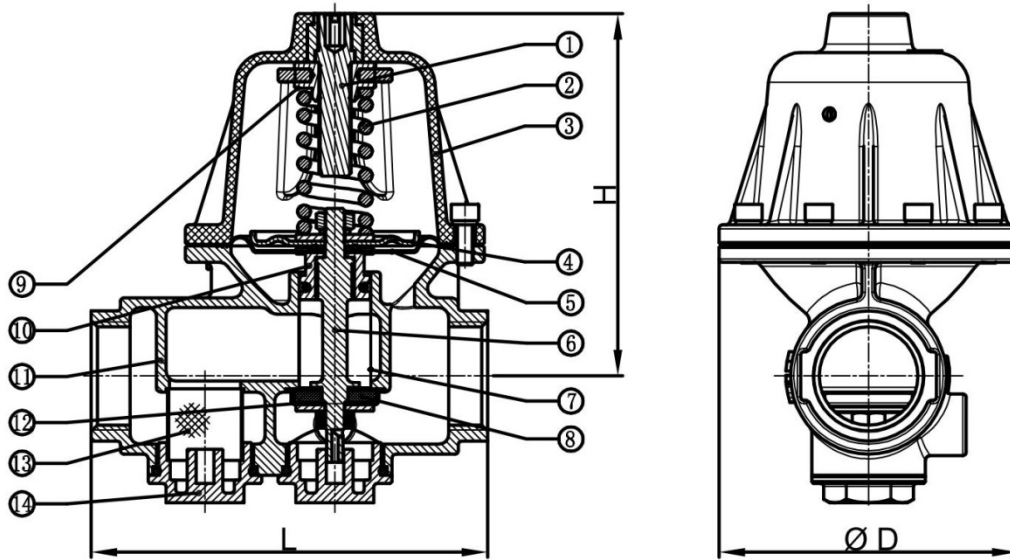


●Water supply:

A pump is in the basement



Dimension



Valve Size (DN)	L (mm)	H (mm)	D (mm)	Screw (PT)
20	110	106.5	92	3/4"
25	122	111.5	92	1"
40	204	174.5	158	1-1/2"
50*	212	178.5	158	2"

* The material of body uses stainless steel only

No.	Parts Name	No.	Parts Name
1	Adjusting Stem	8	Packing
2	Spring	9	Spring Seat
3	Cover	10	Piston
4	Diaphragm Plate	11	Body
5	Diaphragm	12	Disc
6	Stem	13	Screen
7	Anti-Noise Cage(Optional)	14	Bottom Cover

Pressure adjustment rang : 0.5~2, 2~5 kgf/cm²

Max working pressure : 10 kgf/cm²

Temperature range : 0~100°C, water

Notice :

※The rights is reserved to make changes in pattern, design or materials when deemed necessary, without prior notice.

※The drawings of designing, assembling or installing needed our valve's dimensions, should use our newest CAD files, which we have signed. And if you used our old drawings for your designing, assembling or installing, we can help you nothing.

King-tech Valve Precision Industry Inc.



www.kingtech-sb.com

E-mail: sb.wow@msa.hinet.net

1F, No. 47, Lane 127, sect 2, North Xinsheng Road Taipei



Distributor