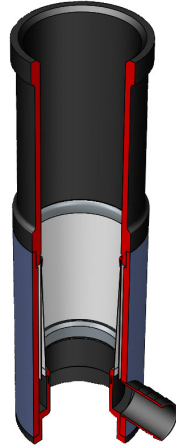




立管雨水回收過濾器

Model: 5109

Standpipe Rainwater Harvesting Filter



- 無需外在能源，自動保持清潔
No energy required, Self-keep clean.
- 安裝簡易，無需耗材
Easy to install, no need of consumptive material.
- 雨水回收效率高
High efficiency
- 安裝在落水管，出水管口徑：DN50 (2")
Installation in downpipes, Outlet size : DN 50 (2")
- 適用回收雨水面積 200 m² 以下
Suitable for Roof Areas under 200 m²

介紹 Introduction

立管雨水回收過濾器安裝在落水管，與水撲滿連接。雨水由高處流入雨水回收過濾器，透過不鏽鋼濾網過濾異物雜質。90%以上雨水能夠有效回收做各種用途，沖廁、景觀、澆灌、灑水、洗車或其他不與人體直接接觸之用水。而樹葉、枯枝、石頭、垃圾及雜物等...隨著微量的雨水沖出至排汙口。

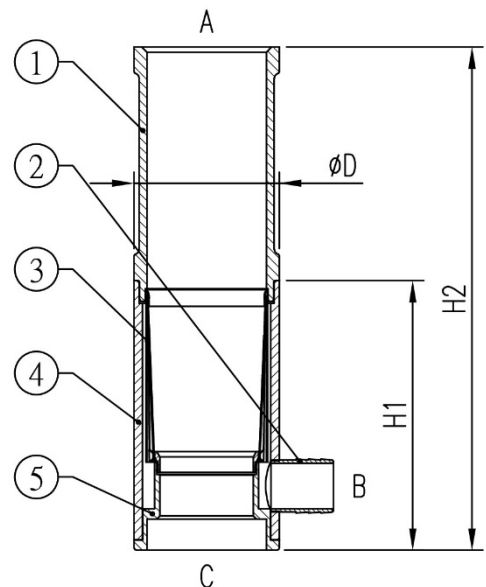
Standpipe Rainwater Harvesting Filter for installation in the downpipes with underground connection to water tank. When rainwater falls into rainwater harvesting filter, it is designed to while rainwater through stainless filter, cleaned rainwater will then be flushed out. Over 90% of cleaned rainwater will then be flushed out and could be collected effectively. Cleaned rainwater is available for flushing toilets, washing cars, watering plants or any other purpose without direct contact with human body. The remaining with leaves, branches, stones, garbage and other impurities will be filtered out to the sewage outlet and be discharged.

規格 Specification

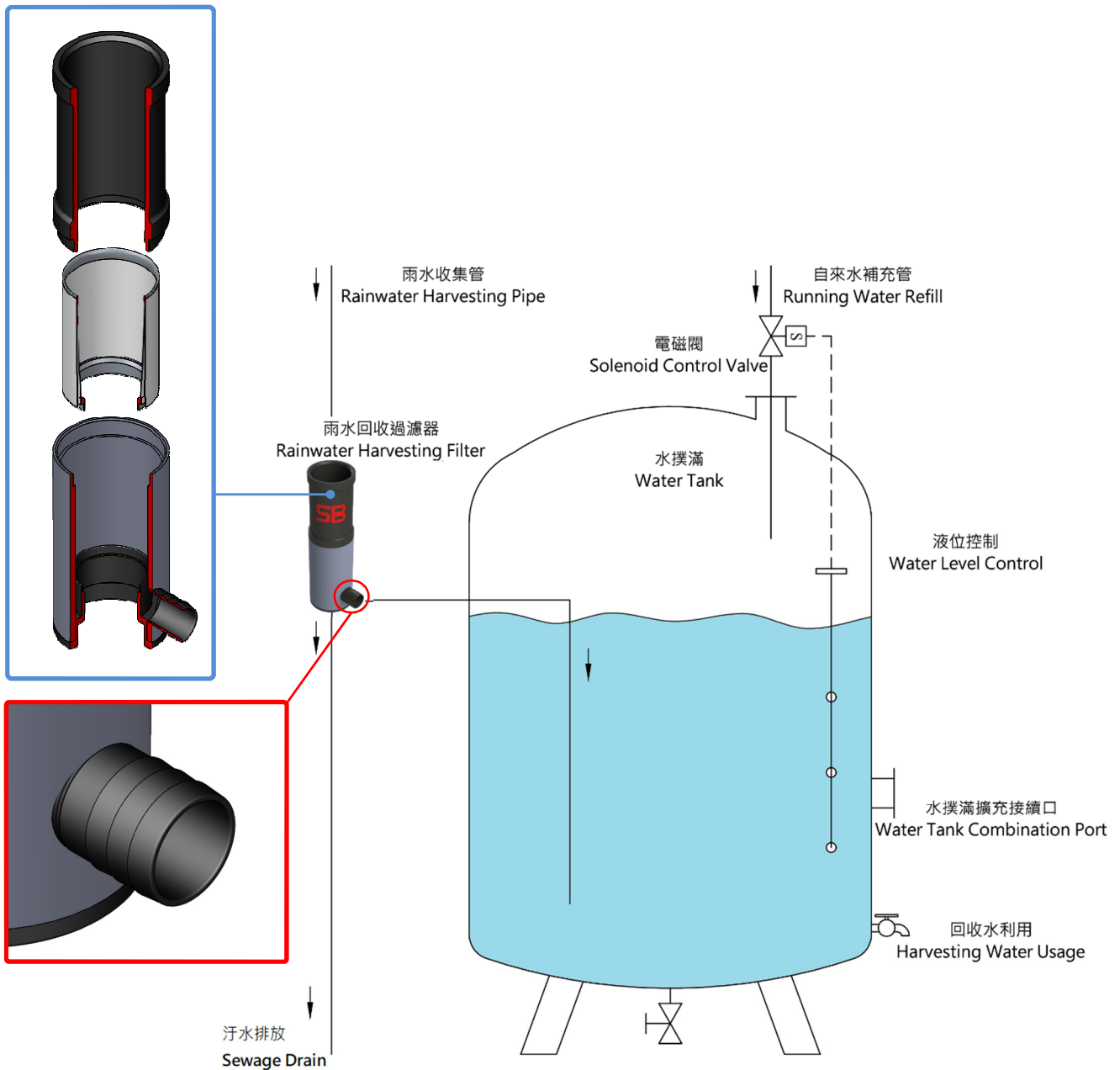
No.	Parts Name	Material
1	進水管套 Inlet Sleeve	POM
2	出水管 Outlet Pipe	POM
3	濾網 Filter	SUS
4	本體 Body	PVC
5	底蓋 Bottom Cover	POM

Size	D	A (DN)	B (DN)	C (DN)	H1	H2
4"	140	100	50	100	260	485

濾網尺寸 Filter mesh size : 0.335 mm (基本款 basic version)



應用範例 Application



※King-Tech reserves the right to make any revisions on the valve model and size without prior notification.

寶閥公司保留不經事先通知及對其閥門型號、尺寸逕行更改之權利！

※When making any design drawing, installation drawing or construction drawing, please do get our approved CAD with our signature, or we will not be responsible for any mistake.

如製作設計圖、安裝圖或施工圖等，請務必取得本公司簽署確認之 CAD 圖稿，否則如有發生錯誤情況，請恕本公司無法負責！

寶閥精密工業股份有限公司

King-tech Valve Precision Industry Inc.



臺北市新生北路二段 127 巷 47 號 1F

www.kingtech-sb.com

E-mail: sb.wow@msa.hinet.net



經銷商 Distributor