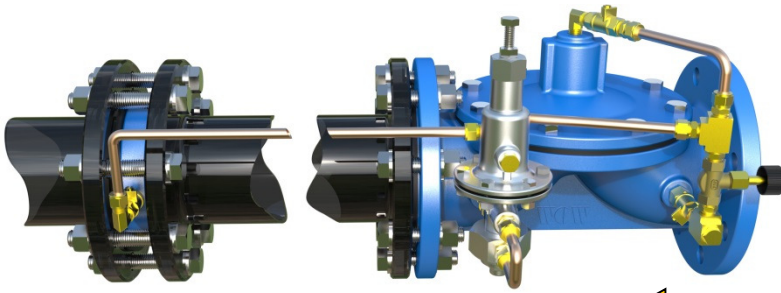


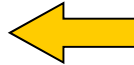


# Flow Rate Control Valve

Model: **47-08**



- Sensitive and accurate flow rate control
- Automatically adjust flow rate
- Flow limit orifices plate with pressure sensor
- Easy adjustment and maintenance
- Excellent and reliable sealing performance



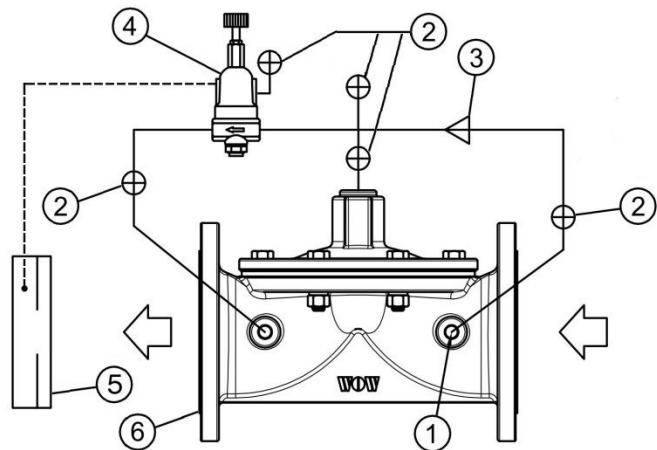
Model 47-08 flow rate control valve is used to adjust and maintain the preset max. Flow rate no matter how pressure varied inside the pipe. It can prevent the flow rate over the max flow rate limitation. It is hydraulic pressure control inside the pipe and is a diaphragm valve controlled by pilot, which can sense the pressure difference at the both sides of the downstream flow limit orifices plate and balance the pressure both sides, automatically adjust the open degree to maintain the flow rate at a certain range.

The adjustable pole of pilot can slightly adjust flow rate.

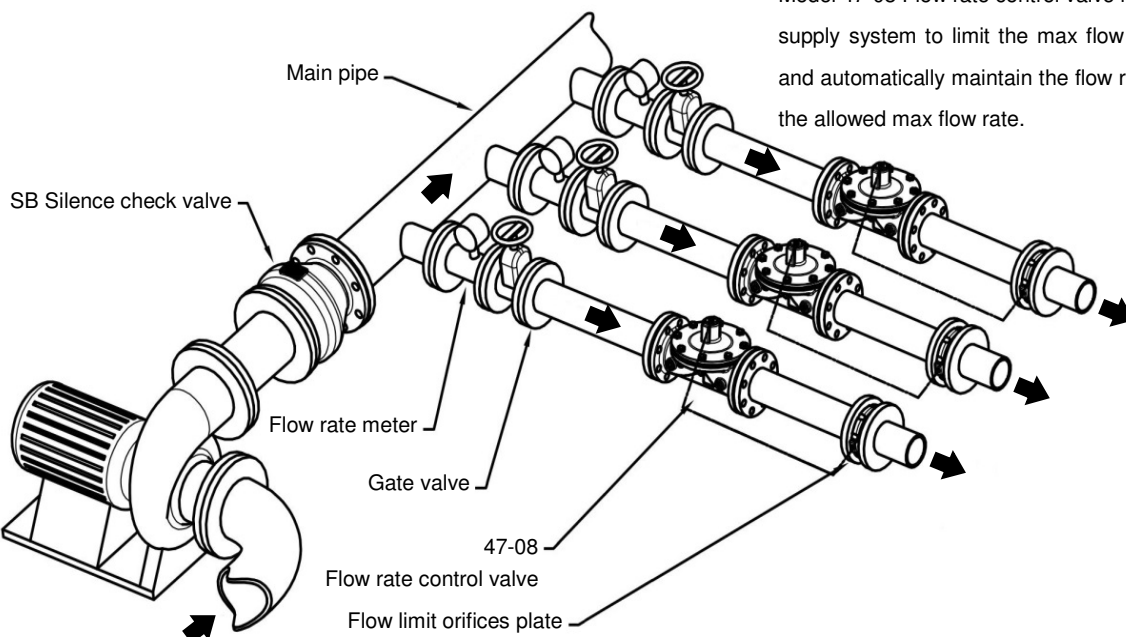
## Accessories

No.	Parts Name
1	Strainer
2	Ball valve
3	Needle valve / Ball valve
4	Pilot
5	Flow limit orifices plate
6	Basic valve body

## Schematic Diagram

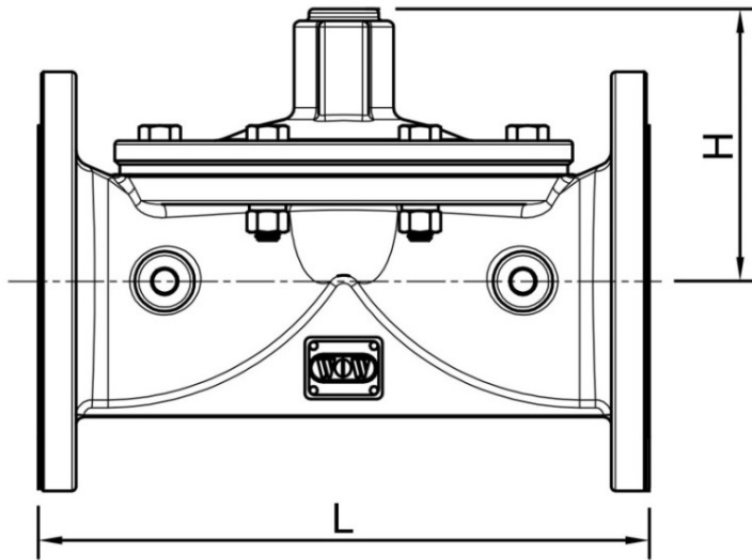


## Typical Application



Model 47-08 Flow rate control valve is applied for water supply system to limit the max flow rate of branches, and automatically maintain the flow rate of branches at the allowed max flow rate.

## Dimension



Valve size	50	65	80	100	125	150	200	250	300
L(mm)	200	220	285	307	370	390	500	605	650
H(mm)	87	109	115	137	142	164	183	244	258
Weight(kg)	7	9	16	18	37	48	83	120	140

### Notice :

- ※When installing the valve, strongly request to leave enough space for maintenance. It is necessary to install the filter at the front section of the valve to avoid foreign materials to block the valve and affect the operation of the valve.
- ※King-Tech reserves the right to make any revisions on the valve model and size without prior notification.
- ※When making any design drawing, installation drawing or construction drawing, please do get our approved CAD with our signature, or we will not be responsible for any mistake.

## Specification

Size : DN50~DN300 to flange  
 Flange : 10K、16K、PN16、150LB  
 Temp. range : 0°C~100°C · water  
 ※Any size over DN350 can be made to order.

## Material

Body : Iron casting / Stainless steel  
 Accessory : Brass / Stainless steel  
 Fastener : Carbon steel / Stainless steel  
 Diaphragm : NBR / EPDM

## Pilot Specification

Adjustable range : 1~4 m/s flow speed inside the pipe is the adjustable range.  
 Material : Brass / Stainless steel

## When Ordering, Please Specify

- |                      |                    |
|----------------------|--------------------|
| 1、Valve model number | 4、Connection type  |
| 2、Valve size         | 5、Flow rate range  |
| 3、Pressure range     | 6、Working pressure |

## King-tech Valve Precision Industry Inc.



www.kingtech-sb.com  
 E-mail: sb.wow@msa.hinet.net

1F, No. 47, Lane 127, sect 2, North Xinsheng Road Taipei



## Agency